

iR Series
LED Recessed Canopy Light



Overview

- √ Simplistic and charming design, less is more
- √ Recessed design, specialized for gas station
- √ Customizable size outer fixture
- √ Luminous efficacy up to 130lm/w, lifespan up to 62,000+ hours
- √ 10% lighter and 5% smaller than the last generation



5 Year Warranty for the entire luminaire



Reliable LED Lighting Technology

The special Reliable LED Lighting Technology provides significant advantages in terms of luminous efficiency, minimising losses refraction and reflection inside the optical system. This system ensures a lower density of dirt and maintaining the luminaire performance for a very long period.

Protect the LED Source

As the key to guarantee the total life span of the luminaire, the protection of the LED source is the core topic in the designing of luminaire. The carefully selected Mitsubishi PC cover and waterproof rubber ring ensured the total IP of the whole product. And it also protect the LED chip from the external agents and impact.

Temperature Control

i Series is designed with superb heat radiation technique. The heat and air can go through the whole luminaire via the gaps between the modules. This product also has a self-clean ability. When the rain came, the fixture will be washed and the dirt automatically goes out.

By the excellent heat radiation ability, **the temperature rising of iL street light is only <math><26\text{ }^{\circ}\text{C}</math>**. And the lamp can work in the environment from

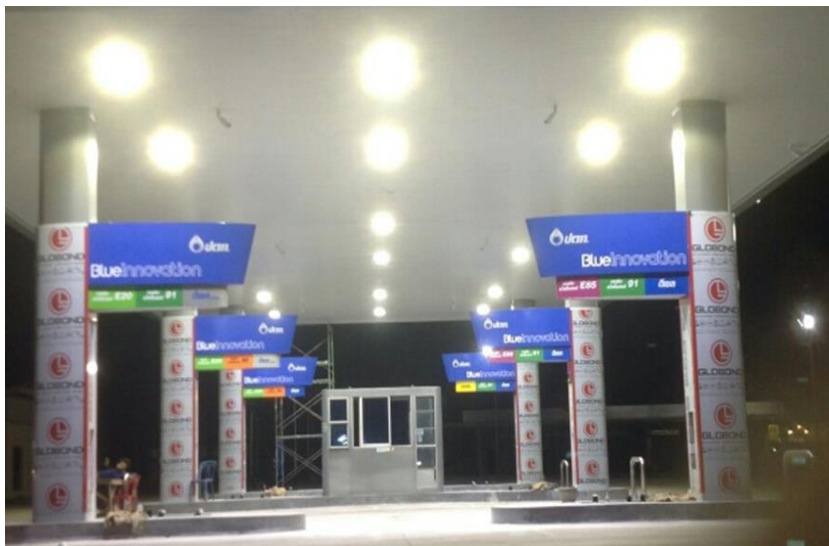


Project



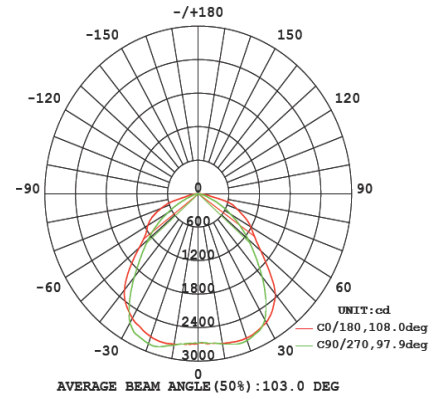
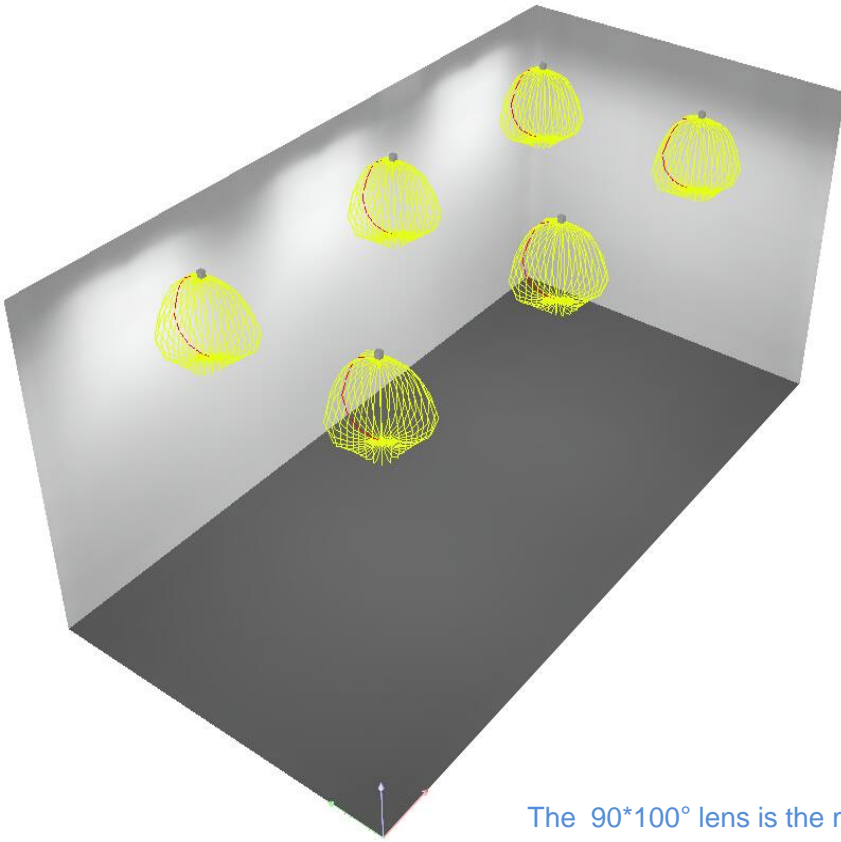
Texaco Gas Station Project in Colombia

Gas Station Project in Uruguay

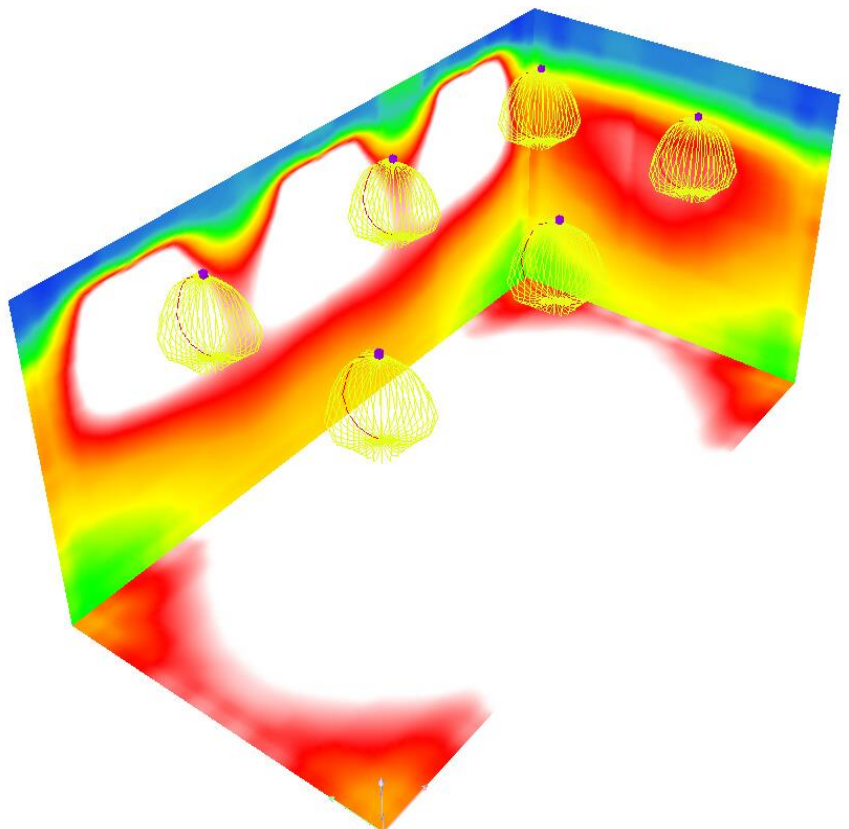
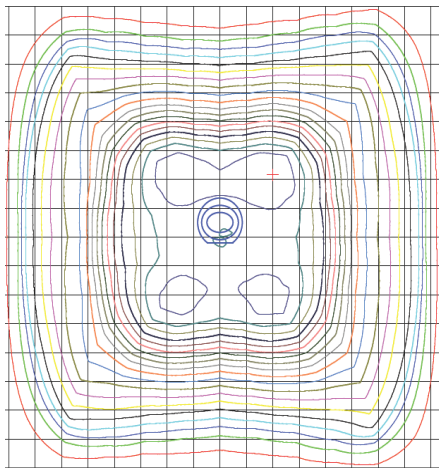


Gas Station Project in Thailand

90*100° Lens for Gas Station



The 90*100° lens is the most common option for gas stations. In this demonstration project, there is a gas station of 14*7 meters and 6 meters installation height. With 6 Pcs of 80W iR series canopy light, the average lux on the ground is >200.



80WiR

LED Canopy Light, 160-200W HID Replacement



New



- Optical control function optional
- Dimming functions optional
- +Three in One (1-10V DC / PWM / Resistance)
- +Timer - Contact for Details

Specifications

Electrical Specifications

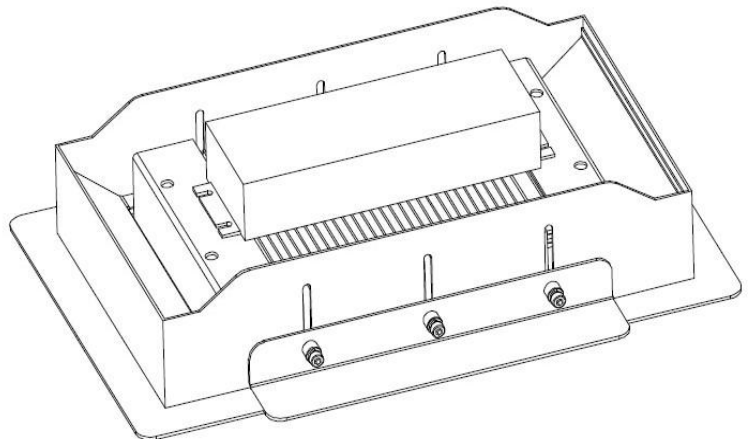
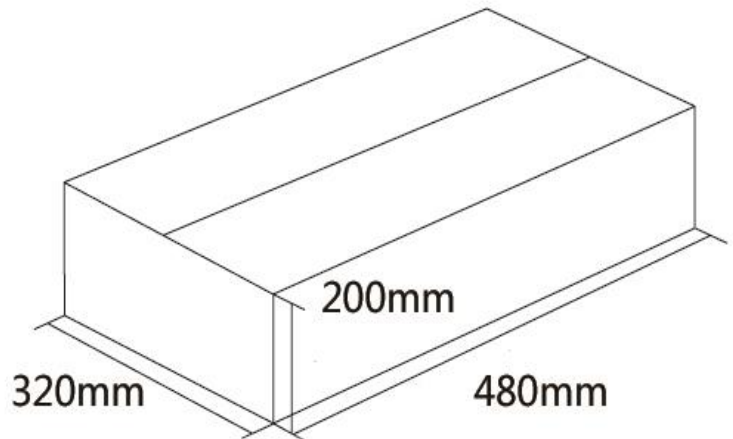
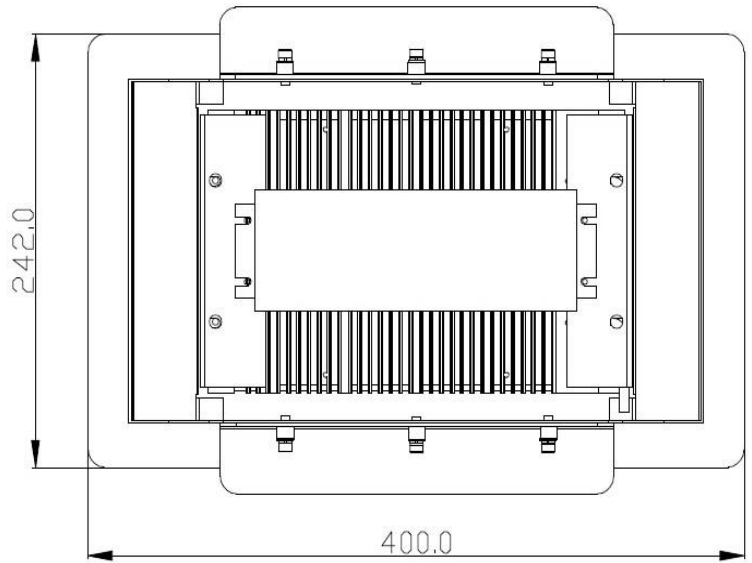
Model No.	80WiR
Nominal Wattage	80W
Nominal Voltage	90-305VAC, 50/60Hz
Maximum Current	AC 0.9A (max)
Power Factor (PF)	>0.95
Driver Efficiency	>92%

Photometric Specifications

Luminous Flux	+Lumen tolerance +/- 5%
	8,000-8,800lm
CRI	Ra>78
CCT	3000K/4000K/5000K/5700K/6500K
Optional Beam Angle	90°*100°, 30°, 60°, 120°

Mechanical Specifications

IP Rating	IP65
Lifetime	62000 hours - L70, @25°C
Heat Radiator	Anodized Aluminum
Lens	PC
Fixture Dimension	400*272*100mm
	15.7*10.7*3.9 inches
Net Weight	4.7kg
Carton Dimension	480*320*200mm
Gross Weight	5.3kg



120WiR

LED Canopy Light, 240-280W HID Replacement



New



- Optical control function optional
- Dimming functions optional
- +Three in One (1-10V DC / PWM / Resistance)
- +Timer - Contact for Details

Specifications

Electrical Specifications

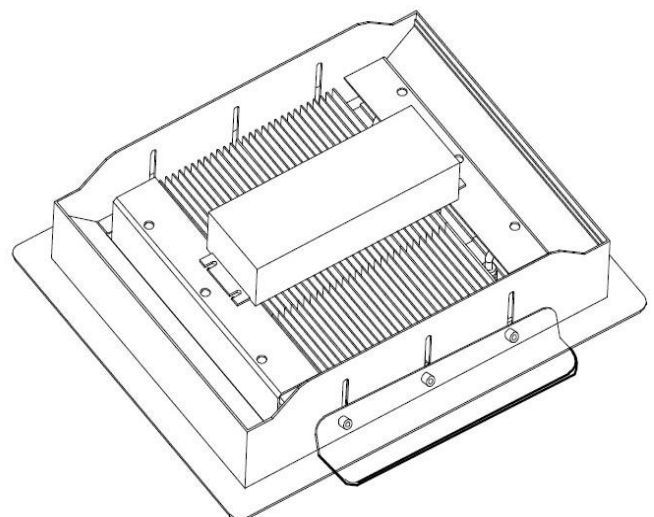
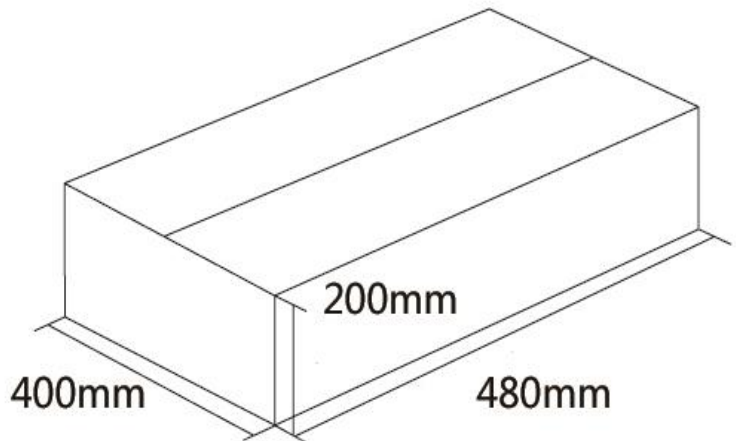
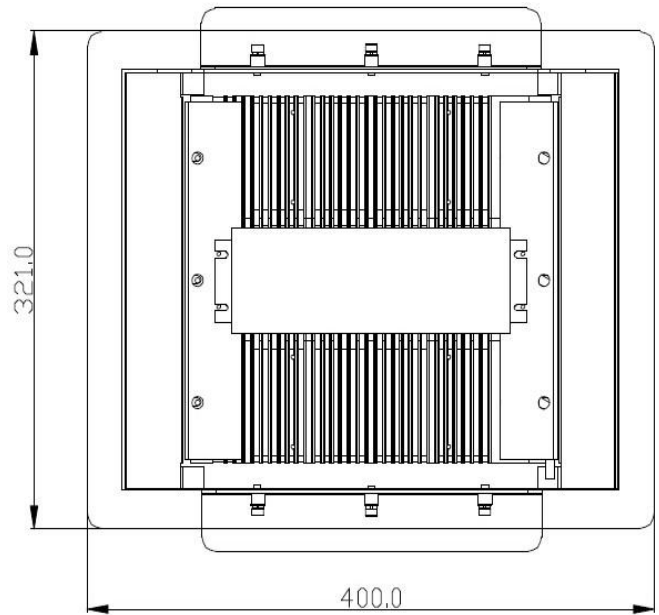
Model No.	120WiR
Nominal Wattage	120W
Nominal Voltage	90-305VAC, 50/60Hz
Maximum Current	AC 1.35A (max)
Power Factor (PF)	>0.95
Driver Efficiency	>92%

Photometric Specifications

Luminous Flux	+Lumen tolerance +/- 5%
	12,000-13,200lm
CRI	Ra>78
CCT	3000K/4000K/5000K/5700K/6500K
Optional Beam Angle	90*100°, 30°, 60°, 120°

Mechanical Specifications

IP Rating	IP65
Lifetime	62000 hours - L70, @25°C
Heat Radiator	Anodized Aluminum
Lens	PC
Fixture Dimension	400*351*100mm
	15.7*13.8*3.9 inches
Net Weight	6.4kg
Carton Dimension	480*400*200mm
Gross Weight	7.3kg



160WiR

LED Canopy Light, 320-400W HID Replacement



New



- Optical control function optional
- Dimming functions optional
- +Three in One (1-10V DC / PWM / Resistance)
- +Timer - Contact for Details

Specifications

Electrical Specifications

Model No.	160WiR
Nominal Wattage	160W
Nominal Voltage	90-305VAC, 50/60Hz
Maximum Current	AC 1.80A (max)
Power Factor (PF)	>0.95
Driver Efficiency	>92%

Photometric Specifications

Luminous Flux	+Lumen tolerance +/- 5% 16,000-17,600lm
CRI	Ra>78
CCT	3000K/4000K/5000K/5700K/6500K
Optional Beam Angle	90*100°, 30°, 60°, 120°

Mechanical Specifications

IP Rating	IP65
Lifetime	62000 hours - L70, @25°C
Heat Radiator	Anodized Aluminum
Lens	PC
Fixture Dimension	400*430*100mm 15.7*16.9*3.9 inches
Net Weight	7.7kg
Carton Dimension	480*480*200mm
Gross Weight	8.7kg

